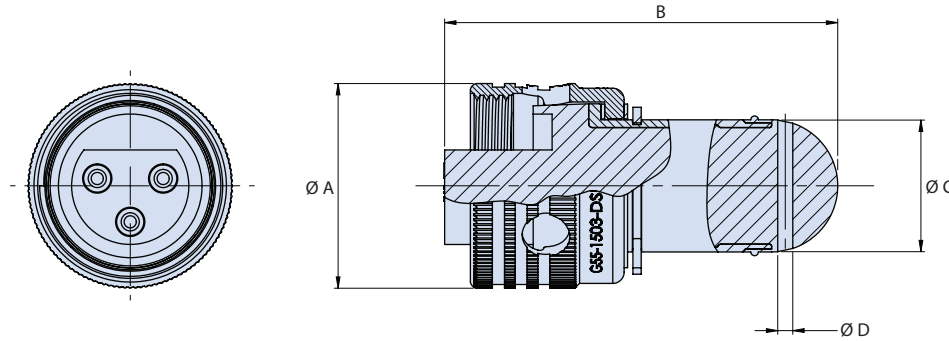




10K PSI / 700 BAR / 7000M  
**SuperG55™ High-Pressure,  
 Dry-Mate Subsea Connectors**  
 G55 receptacle cover



SuperG55™ Receptacle Cover - How To Order					
<b>Sample Part Number</b>	<b>G55</b>	<b>D1</b>	<b>15</b>	<b>03</b>	<b>-0001</b>
<b>Series</b>	SuperG55™ = Underwater dry-mate				
<b>Connector Style</b>	D1 = Receptacle cover				
<b>Shell Size</b>	15, 20, 24				
<b>Number of Contacts</b>	See contact arrangements (page 23)				
<b>Cable Length</b>	In feet (0001 = 1 foot, 0002 = 2 feet, etc.)				



Dimensions				
Contact Arrangement	Dim A ±.006 (.15)	Dim B Nominal	Dim C ±.010 (.25)	Dim D ±.005 (.13)
1503	1.070 (27.18)	2.047 (52.00)	0.688 (17.48)	.079 (2.00)
1508	1.070 (27.18)	2.047 (52.00)	0.688 (17.48)	.079 (2.00)
2008	1.450 (36.85)	2.244 (57.00)	1.093 (27.76)	.118 (3.00)
2013	1.450 (36.85)	2.244 (57.00)	1.093 (27.76)	.118 (3.00)
2021	1.450 (36.85)	2.244 (57.00)	1.093 (27.76)	.118 (3.00)
2412	1.700 (43.20)	2.362 (60.00)	1.312 (33.32)	.118 (3.00)

SUBSEA/DEEPWATER: SUPERG55™

