

# ST4K

## Underwater Emergency Rechargeable Xenon Strobe

The Teledyne Bowtech ST4K, Xenon rechargeable submersible strobes are self-contained, compact, high intensity xenon beacons designed for use as a visual aid to locate submersible vehicles, or instrumentation packages when they surface for recovery. They can also be used to mark underwater objects, vehicles, divers or work sites.

The strobe is designed such, that when the ROV power (120 to 240Vac) is on, it will switch the charging circuit for the strobe batteries on and switch the strobe off to conserve battery power. The strobe will constantly charge when the power is present, however the charging will switch off when the voltage on the batteries reaches the fully charged level.

The unit will only operate if the following conditions are met:

1. ROV power is lost
2. The pressure of seawater on the pressure switch is low enough to switch the unit on (i.e. above 10 metres of seawater)
3. The ambient light around the LDR sensor is low enough to switch the unit on



### PRODUCT FEATURES

- 4000m rated Anodised Aluminium housing
- Rechargeable
- High intensity
- Pressure switch
- Hand switch
- Daylight switch
- Remote head



**TELEDYNE BOWTECH**  
Everywhereyoulook™

# ST4K

## Underwater Emergency Rechargeable Xenon Strobe

### TECHNICAL SPECIFICATIONS

Electrical	Flash Rate, adjustable	40, 25, 18, 15 / min, Factory set at 15 / min
	Voltage	120 to 240Vac
	Max Flash Energy	3.38 Ws
	Tube Life	>1 million flashes
	Photocell	Adjustable, Factory set at 100 Lux
	Battery Type	Rechargeable Nickel Metal Hydride Pack
	Battery Life	50h approx at 15 / min, 10h approx at 40 / min
	Current Consumption	1.15M (max@230Vac)
Environmental	Operating Depth	4000m
	Operating Temperature	-30°C to +50°C
Mechanical	Diameter	110mm
	Length	225mm (excluding switch, head and connector)
	Window/Lens	Acrylic
	Housing Materials	Hard Anodised 6082-T6 Aluminium
	Switches	Pressure Activated Below 10m, Hand On/Off, Photocell, 100 Lux (adjustable)
	Sacrificial Anode	Zinc
	Weight in Air	3.3kg
	Weight in Water	2.12kg

### SWITCHES

**Photocell** - A Photocell is included in each strobe, to turn the unit off and conserve battery life during daylight hours. The photocell is factory set to activate at approximately 100 Lux, however this level can be adjusted by the user according to operational requirement. Additionally, the photocell switch can be disabled to allow continuous operation.

**Pressure** - The pressure switch is designed to turn the unit on or off when the depth exceeds approximately 10 meters. Factory setting is off underwater and on, on the surface

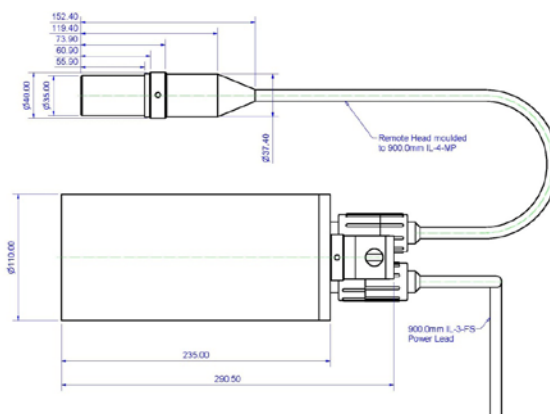
**Hand** - The hand switch is designed to be used in conjunction with the pressure switch. The hand switch is operated by turning the cam 90°, to press against the diaphragm of the pressure switch.

### HOUSING

The strobe itself is self-contained in its underwater, hard black, anodised aluminium housing. The housing consists of two parts - a cylindrical can and end plate.

### REMOTE HEAD

A remote head option is available, where the xenon tube with its acrylic housing is separated from the main housing, by a 1m cable assembly. This option allows the user to position the head in confined places.



Specifications subject to change without notice.  
© 2016 Teledyne Bowtech Ltd. All rights reserved.



[www.teledynemarine.com](http://www.teledynemarine.com)  
Email: [bowtech\\_sales@teledyne.com](mailto:bowtech_sales@teledyne.com)

**Head Office**  
International Avenue,  
ABZ Business Park,  
Dyce, Aberdeen  
AB21 0BH, UK  
Tel: +44 (0)1224 772345  
Fax: +44 (0)2114 772900

**Houston**  
10661 Shadow Wood Drive,  
Houston, TX 77043, USA  
Tel: +1 281 710 7276  
Fax: +1 281 712 1757