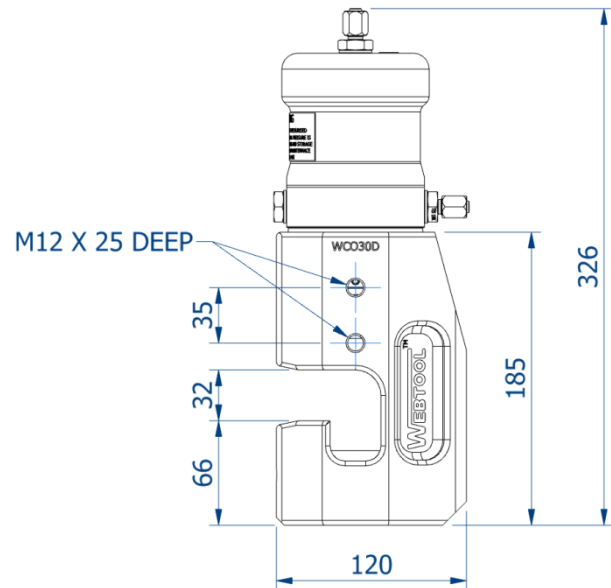
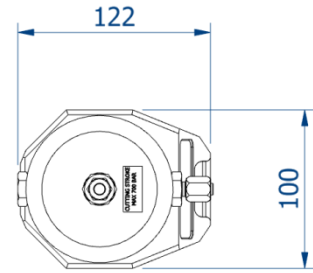


## WCO30D - Wire Rope Cutter Part No - 980527



- Heavy duty wire rope cutter designed for use in severe working conditions
- Open sided design allows for easy positioning of the cutter on the cable
- Corrosion resistant stainless steel body with Nitrotec coated alloy steel cylinder
- Long blade and anvil life ensures that tool maintenance is kept to a minimum
- Ideal for operation in confined spaces
- Can be used at any water depth
- Cutting Capacity - Steel wire ropes up to  $\text{Ø}30\text{mm}$  (1.181") with a maximum tensile strength of  $1960\text{N}/\text{mm}^2$
- Suitable for cutting wire rope, guide wire, cables, hoses and umbilicals
- Supplied with 10k rated JIC No 4 fittings
- Approx weight in air - 15kg
- Approx weight in water - 13kg
- Swept volume cut stroke - 0.15 litres
- Swept volume return stroke - 0.1 litres
- 700 Bar maximum input pressure

**Webtool – A division of Allspeeds**  
Royal Works, Atlas Street  
Clayton-Le-Moors, Accrington, Lancashire. BB5 5LW  
UK Tel: +44 (0) 1254 615 100 Fax: +44 (0) 1254 615 199