

LED-R-Series

4,200 or 7,300 Lumen LED Lamp

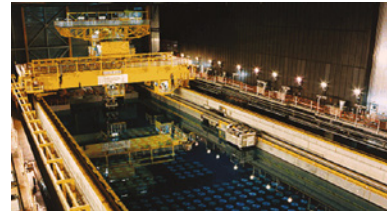
Multipurpose underwater lamp

The Teledyne Bowtech LED-R-SERIES underwater LED lights are supplied with 120Vac and available with 4,200 or 7,300 lumen output. These lights feature our latest LED technology and are now a real alternative to AC incandescent lamps.

Due to Teledyne Bowtech's continued history of innovation, these lights feature the latest and best underwater LED lighting technology available.

Rated to operate at 3,000 metres ocean depth, the lamps are manufactured with anodised aluminium, titanium or stainless steel housing, all offering proven, corrosion resistance.

The 80° wide beam angle light produced, is ideal for colour video inspection tasks.



Applications: ROV/AUV, Nuclear, Defence

PRODUCT FEATURES AND BENEFITS

- 4,200 or 7,300 lumens
- 120 Vac
- 3000m depth rated
- 80° wide beam angle of light
- Rugged construction
- Highly shock and vibration resistant
- Long life 50,000 hours

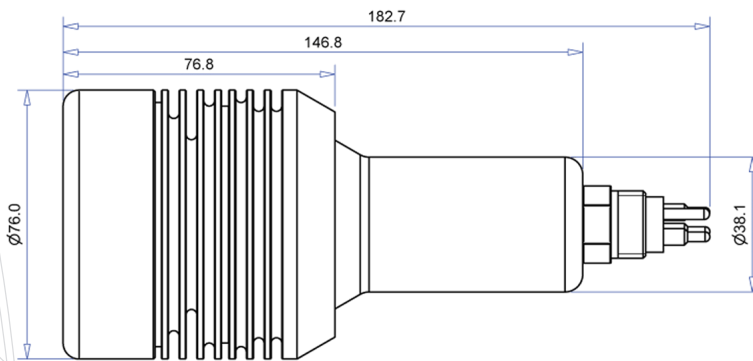


LED-R-Series

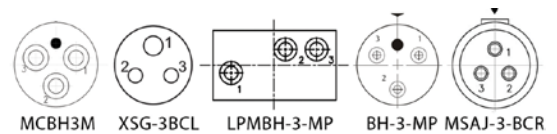
4,200 or 7,300 Lumen LED Lamp

TECHNICAL SPECIFICATIONS

Electrical	Input Power	120 Vac, 600 mA (4,200 lumen model) 1000 mA (7,300 lumen model)
Environmental	Depth Rating Storage Temperature Operating Temperature	3000m -30°C to +70°C -10°C to +32°C -10°C to +20°C (7,300 lumen models in titanium and stainless steel)
Optical	Housing Material Window Typical Luminous Flux Typical Illuminance @ 1m Typical Colour Temperature Lumen Maintenance	Hard anodised 6082-T6 aluminium, titanium, stainless steel Acrylic 2,100 or 3,200 lumens 820 lx (2,100 lumen model), 1,365 lx (3,200 lumen model) 6,600 Kelvin (options available) 50,000 hours
Mechanical	Models Dimensions Weight in Air Weight in Water Thermostat Cut-off Typical Beam Angle Standard Connector Optional Connectors	LED-R-4200, LED-R-7300 76mm (front-end), 38.1mm (body) (d) x 146.8mm (l) (excluding connector) 760g (aluminium) 400g (aluminium) Off 70°C, Restart <50°C 80° to 50% power points MCBH3M Large selection of connectors available



Connector Face Patterns not to scale



www.teledynemarine.com
Email: bowtech_sales@teledyne.com

Head Office
International Avenue,
ABZ Business Park,
Dyce, Aberdeen
AB21 0BH, UK
Tel: +44 (0)1224 772345
Fax: +44 (0)2114 772900

Houston
10661 Shadow Wood Drive,
Houston, TX 77043, USA
Tel: +1 281 710 7276
Fax: +1 281 712 1757



Specifications subject to change without notice.
© 2016 Teledyne Bowtech Ltd. All rights reserved.