

# LED-N-Series

2100, 3200, 4200 or 5000 Lumen LED Lamp

## Multipurpose, underwater LED lamp

### PRODUCT FEATURES

- Utilising the latest in Cree LED technology
- Available in different lumen outputs up to 5000 lumens
- Increased efficiency approximately 140 lumens/watt
- Wide input voltage range (12-36Vdc)
- Flicker free dynamic intensity control
- Analogue and serial intensity control options
- Wide 80° diagonal beam angle
- Various LED colour temperatures available
- Ultra Violet, Infra Red & Leak Detection lamps available
- 6000m depth rating
- Compact and rugged design
- Range of Teledyne and 3rd Party connector options
- Anodised aluminium, 316SS & Titanium housing options
- Can be supplied with mating connector & mounting brackets
- Two year manufacturers warranty (extended options available)
- Field serviceable or can be supported by worldwide support network



*Applications: ROV, AUV, Diver*

### PRODUCT BENEFITS

- Low power requirements
- Low lifetime cost of ownership
- Ease of integration
- Multi-functional
- High reliability
- Field Serviceable



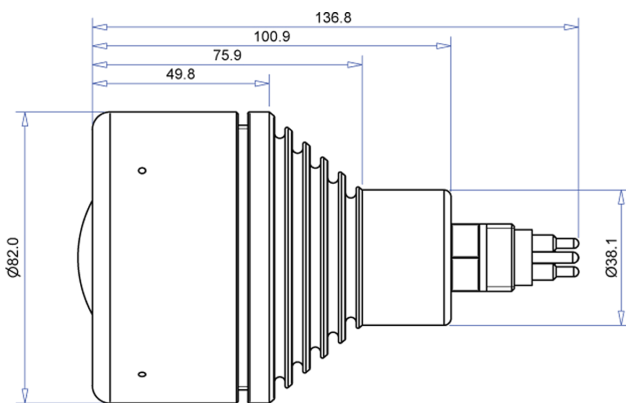
**TELEDYNE BOWTECH**  
Everywhereyoulook™

# LED-N-Series

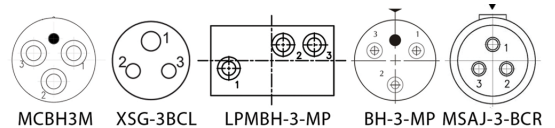
2100, 3200, 4200 or 5000 Lumen LED Lamp

## TECHNICAL SPECIFICATIONS

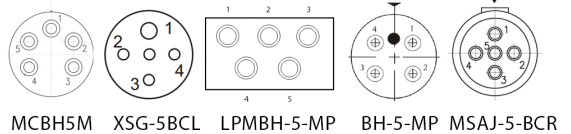
Electrical	Input Power	12-36Vdc 1160mA 2100, 1900mA 3200, 2900mA 4200, 3500mA 5000 @ 12V nominal 610mA 2100, 960mA 3200, 1410mA 4200, 1680mA 5000 @ 24V nominal
Environmental	Depth Rating Storage Temperature Operating Temperature Housing Material	6000m -30°C to +70°C -10°C to +40°C Hard Anodised 6082-T6 Aluminium, Titanium, Stainless Steel
Optical	Window Typical Luminous Flux Typical Illuminance @ 1m Dimming Typical Colour Temperature Lumen Maintenance	Fused Quartz 2100, 3200, 4200, 5000 lumens 720 lx (2100), 1100 lx (3200), 1520 lx (4200), 1800 lx (5000) 0-5 Vdc, 0-10 Vdc, Bipolar, RS485 6,600 Kelvin (options available) 50,000 hours
Mechanical	Models Dimensions Weight in Air Weight in Water Thermosat Cut-off Typical Beam Angle Standard Connector Optional Connector	LED-N-2100, LED-N-3200, LED-N-4200, LED-N-5000 82mm (front-end), 38.1mm (body) (d) x 100.9mm (l) (excluding connector) 756g (aluminium) 545g (aluminium) Thermal limiting circuit 80° to 50% power points MCBH3M A range of Teledyne and 3rd Party connector options



Connector Face Patterns not to scale



For RS485 Control



Specifications subject to change without notice.  
© 2018 Teledyne Ltd. All rights reserved.



### Head Office

International Avenue, ABZ Business Park, Dyce, Aberdeen AB21 0BH, UK  
Tel: +44 (0)1224 772345  
Fax: +44 (0)1224 772900

[www.teledynemarine.com](http://www.teledynemarine.com)  
Email: [bowtech\\_sales@teledyne.com](mailto:bowtech_sales@teledyne.com)