

LED-G-SERIES

Underwater LED Light



underwater **vision** specialists

Features

- 800, 1,000 or 1,600 Lumens
- 24Vdc
- 85° Wide Angle Beam of Light
- 300 Metre Rated Aluminium Housing



Description

The Bowtech Products LED-G-SERIES underwater LED lights are available with 800, 1,000 or 1,600 lumens output and various colour temperature options. The 800 lumen model is designed to operate in wet and dry conditions.

Due to Bowtech Products' continued history of innovation, these lights feature the latest and best underwater LED lighting technology available.

Rated to operate at 300 metres ocean depth, the lamps are manufactured with aluminium housing, which is anodised to offer proven corrosion resistance.

The 85° diagonal wide angle beam of light produced is ideal for colour video inspection or viewing tasks, especially for diving and inspection ROV applications.

Benefits of LED Lighting

No Fragile Filaments

Rugged Construction

Highly Shock and
Vibration Resistant

Average Lifetime
Greater than 50,000 hours

Enormous "In-service"
Cost Saving Over Incandescent Bulbs

Available in Various Colour Temperatures



© Bowtech Products Ltd 2012 All rights reserved.
Bowtech Products Ltd reserves the right to change the
above specifications without notice.

T +44 1224 772345
F +44 1224 772900

sales@bowtech.co.uk
www.bowtech.co.uk

Last updated 8th May 2013
Revision: 0

Specification – LED-G-SERIES

ELECTRICAL

Input Power Requirement: 24Vdc, 350mA (800 lumen model)
 450mA (1,000 lumen model)
 700mA (1,600 lumen model)

OPTICAL

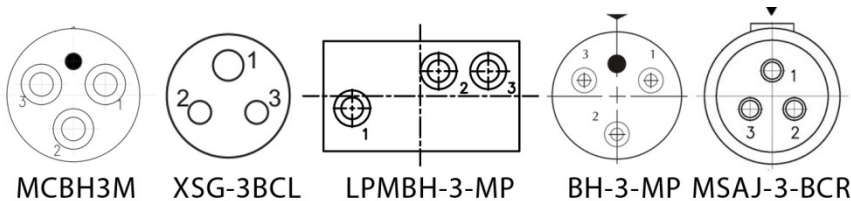
Window/Lens: Acrylic
 Typical Luminous Flux: 800, 1,000 or 1,600 Lumens
 Typical Illuminance @ 1m: 600 lx (1,600 lumen model)
 Typical Colour Temperature: 6,600 Kelvin (options available)
 Lumen Maintenance (70%): 50,000 hrs

ENVIRONMENTAL

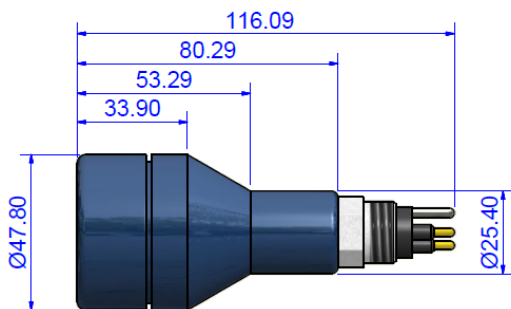
Operating Depth: 300m (984ft)
 Storage Temperature: -30 to +70°C
 Operating Temperature: -10 to +40°C
 Housing Material: Hard Anodized 6082-T6 Aluminium

MECHANICAL

Models: LED-G-800 Wet & Dry, LED-G-1000, LED-G-1600
 Length: 80.3mm (3.1in) Excluding Connector
 Diameter: 47.8mm (1.9in) Front-end, 25.4mm (1in) Body
 Weight in Air: 0.207kg (0.46lbs)
 Weight in Water: 0.100kg (0.22lbs)
 Typical Beam Angle: 85° to 50° Power Points
 Standard Connector: MCBH3M
 Optional Connectors: A Wide Range of Connectors



(connector face patterns not to scale)



© Bowtech Products Ltd 2012 All rights reserved.
 Bowtech Products Ltd reserves the right to change the above specifications without notice.

T +44 1224 772345
 F +44 1224 772900

sales@bowtech.co.uk
www.bowtech.co.uk

Last updated 8th May 2013
 Revision: 0