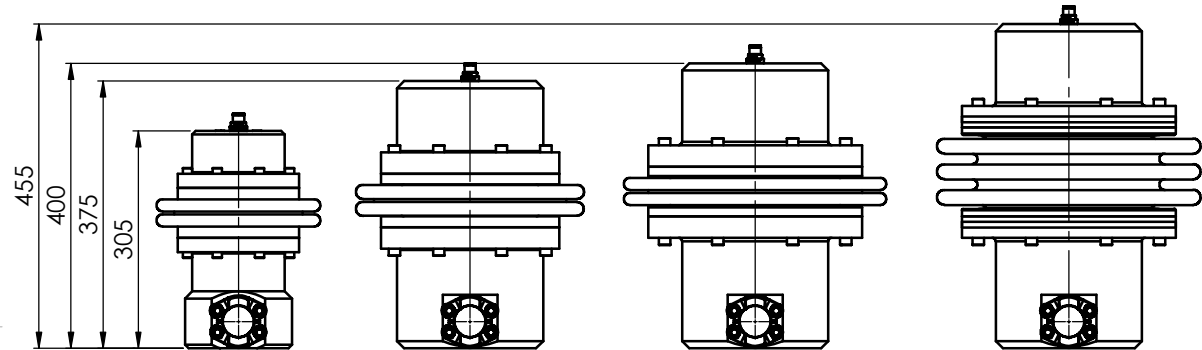
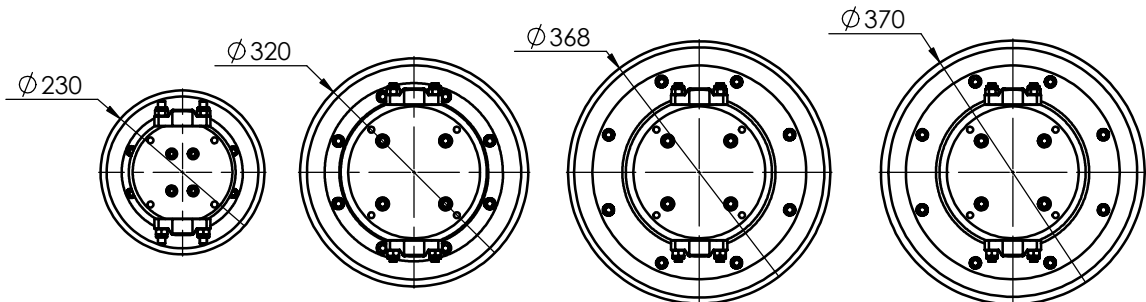
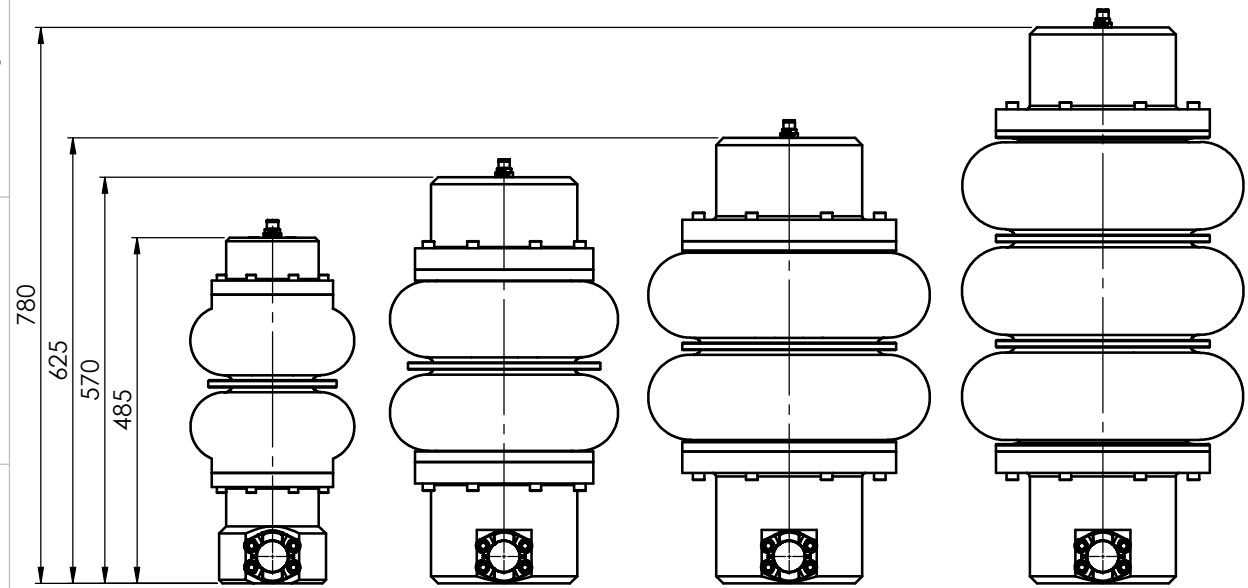


THIS DOCUMENT AND DATA DISCLOSED HEREIN OR HERewith IS THE CONFIDENTIAL AND PROPRIETARY PROPERTY OF NEXUM ENGINEERING AS AND IS NOT TO BE USED, REPRODUCED OR DISCLOSED IN WHOLE OR IN PART BY OR TO ANYONE WITHOUT THE WRITTEN PERMISSION OF NEXUM ENGINEERING AS.

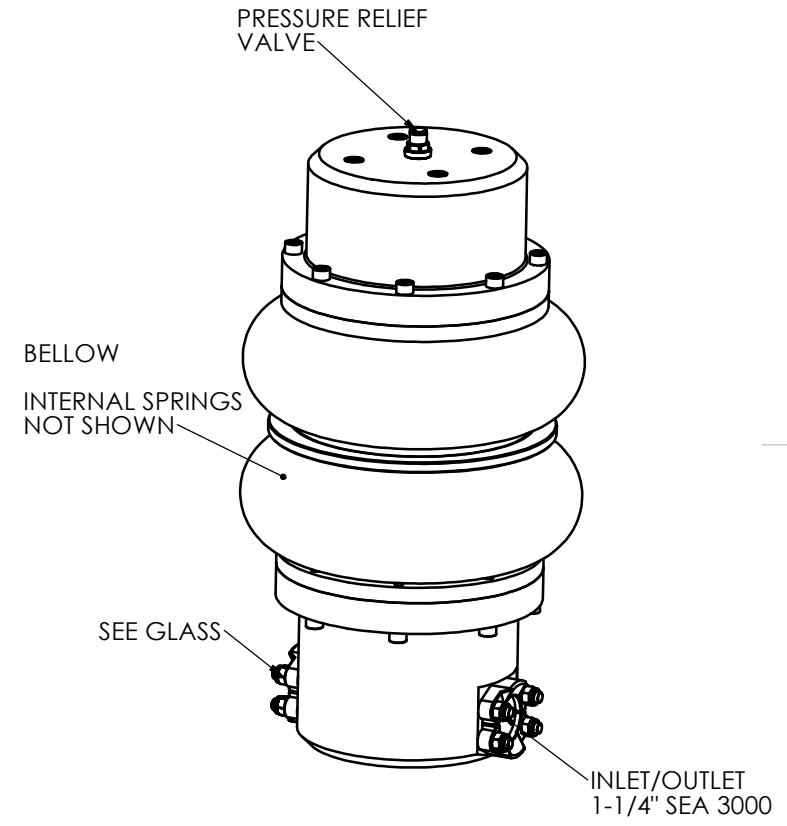
REVISIONS					
REV	DATE	DESCRIPTION	BY	CHK	APPR



EMPTY LENGTH



4L 10L 18L 26L
FULL LENGTH



UNLESS OTHERWISE SPECIFIED:
 DIMENSIONS ARE IN MILLIMETERS.
 ALL EDGES TO BE DEBURKED.
 SURFACE FINISH: 3.2

GENERAL MACHINING TOLERANCE:
 NS-ISO 2768-1 MEDIUM

GENERAL WELDING TOLERANCE:
 NS-EN ISO 13920-BG

1st ANGLE PROJECTION

FORMAT: A3 SCALE: 2:15 TOTAL WEIGHT [kg]: DWG NO. 104763 SHEET 1 OF 1

nexum engineering as
 www.nexum.no

Nexum Compensators
 PLASTIC / SS316

REVISION: 0