

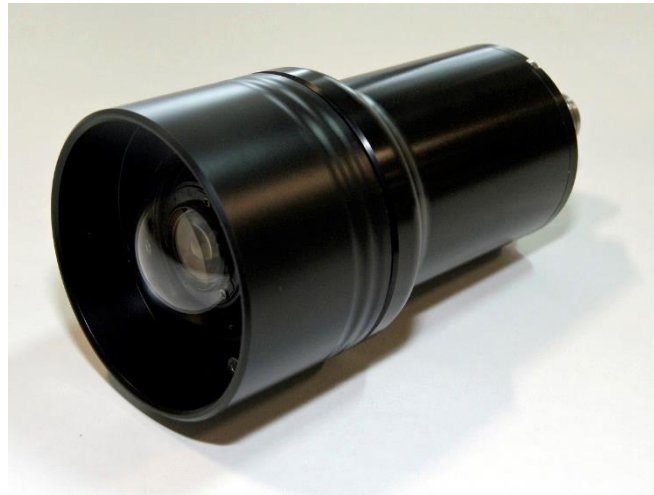


OceanTools

C9 Subsea Camera

GigE Vision subsea camera

The **C9** range of compact GigE Vision compliant underwater monochrome and colour cameras feature a fully optically corrected front viewing port to offer uncompromised image quality.



Overview

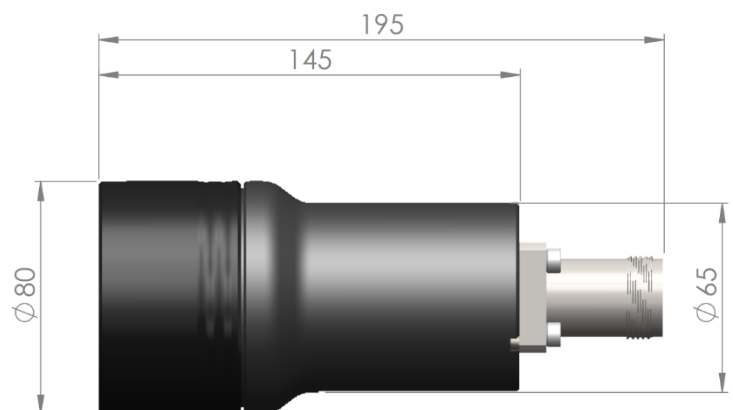
The **C9** monochrome and colour underwater cameras utilise industry leading Sony CMOS sensors with a GigE Vision compliant Gigabit Ethernet interface and global electronic shutter with exposure control. The camera has a wide input voltage range of 10–36VDC or 17–72VDC (PoE) and a wide operating temperature range.

Particular care was taken with the optical design of the water corrected optics to ensure both wide angle viewing and minimal or no distortion through the fully optically corrected front viewing port.

Developed for ROV use, the cameras are designed to be as rugged and durable as possible. An anodised aluminium housing rated to 2000m is supplied as standard, with a 6000m rated titanium housing available as an option.

Key Features

- Domed BK7 glass optically corrected viewport
- AIA GigE Vision v1.2 compliant interface
- Uses standard Gigabit Ethernet hardware
- Supports cable lengths up to 100m
- 2000m rated anodised aluminium housing





OceanTools

C9 Subsea Camera

GigE Vision subsea camera

Specifications

		C9-10 Mono	C9-20 Colour
GigE Vision Cameras			
Optical	Standard lens	6mm	
	Focus	Manually adjustable	
	Depth of field	100mm to infinity	
	FOV in air	66.1°(H) X 50.8°(V)	
Video	Sensor type	1/1.8" SONY CMOS	
	Pixel resolution	2048(H) x 1536(V) 3 Megapixel	
	Frame rate	55 fps (burst mode)	
	Dynamic range	76.4dB	
	Video output	AIA GigE Vision v1.2 compliant	
	Video format	8- or 12-bit Monochrome	8- or 12-bit Bayer / RGB / YUV
Environmental & Electrical	Operating depth	2000m	
	Operating temperature	-10°C to +50°C	
	Data output	Gigabit Ethernet (1000 Mbps)	
	Voltage	10–36VDC or 17–72VDC (PoE)	
	Current	300mA typical	
Mechanical	Length incl connector	195mm	
	Length excl connector	145mm	
	Diameter	80mm max, 65mm body	
	Weight in air	1.1kg	
	Weight in water	0.8kg	
	Housing material	Anodised Aluminium	
	Viewing port material	High Performance BK7 Glass	
	Standard connector	CRE FRA12MBA106601 (alternatives available)	

Product datasheets, GA drawings, case studies and other supporting documents are available to download from data.oceantools.co.uk

All specifications are subject to change without notice. E&OE.

Version 3 (18.05.2022)

