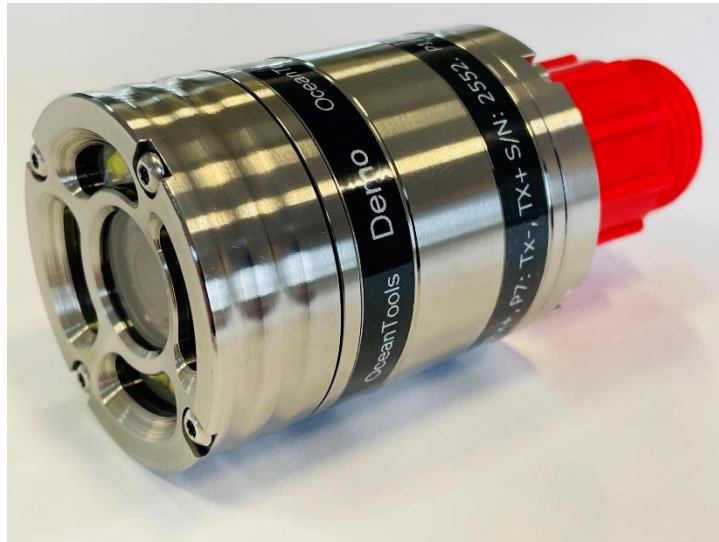


OceanTools

C7-30 HD IP Subsea Camera

Compact camera with high intensity light ring

The **C7-30** multipurpose IP camera has an integral high intensity controllable light ring to illuminate the underwater environment and provide clear video footage at depths down to 6000m.

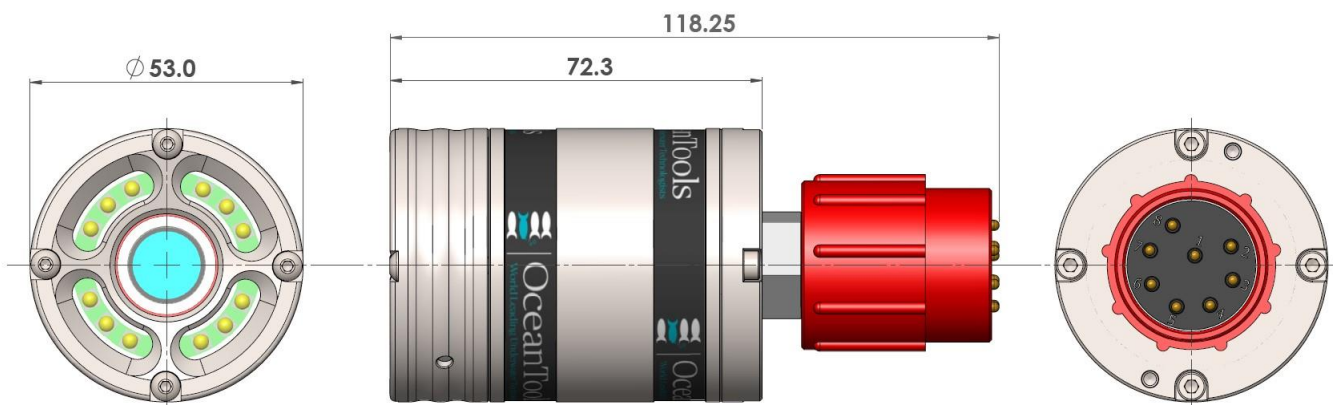


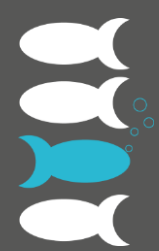
Overview

The compact **C7-30** subsea observation camera offers an impressive 2MP HD over IP video output with a Wide Dynamic Range providing superb video quality under all lighting conditions.

The integral light ring has 12 LEDs that can provide light output of up to 2,250 lumens. The intensity can be varied by analogue voltage control, power cycling or serial RS485 control.

The design features separate Sapphire windows for the camera and light ring, to eliminate reflected light. The housing is manufactured from Grade 5 Titanium to operate down to 6000 metres.





OceanTools

C7-30 HD IP Subsea Camera

Compact camera with high intensity light ring

Specifications

		C7-30-6K (IP)
		H.264 & MJPEG IP Light Ring Camera
Optical	Standard lens	3.6mm
	Depth of field	300mm to infinity
	FOV in water	83.1°(D) X 69.4°(H) X 36.5°(V)
Video	Sensor type	1/2.8" SONY CMOS (Progressive Scan) (WDR) 2 Megapixel
	Min illumination	0.05 Lux @ F2.5
	Dynamic range	116dB
	Video standards	H.264 Baseline, Main Profile & MJPEG, ONVIF Profile S V2.6
	Video resolution	1920x1080, 1280x720, 800x600, 720x480, 704x400, 640x480, 640x360, 320x240
	Network protocols	HTTP, HTTPS, UPnP, DNS, DDNS, RTP, RTSP, DHCP, RARP, NTP
Light Ring	Light source	12 White LEDs
	Light control	RS485, 0-5/10VDC or Power Cycling
	Light output	Up to 2,250 lumens
Environmental & Electrical	Operating depth	6000m
	Operating temperature	-10°C to +50°C
	Voltage	12-26VDC
	Current	180mA Light Ring Off, 750mA Light Ring Max
Mechanical	Length incl connector	118.3mm
	Length excl connector	72.3mm
	Diameter	53mm
	Weight	0.52kg in air, 0.35kg in water
	Housing material	Titanium Grade 5
	Viewing port material	Sapphire (scratch resistant)
	Standard connector	Subconn DBH8M (alternatives available)

Product datasheets, GA drawings, case studies and other supporting documents are available to download from data.oceantools.co.uk

All specifications are subject to change without notice. E&OE.

Version 5 (10.10.2023)



OceanTools Ltd
 OceanTools House Claymore Drive Aberdeen AB23 8GD
 t: +44 1224 709 606 e: sales@oceantools.co.uk
www.oceantools.co.uk