

OceanTools

C5 Subsea Camera

Superior low light camera

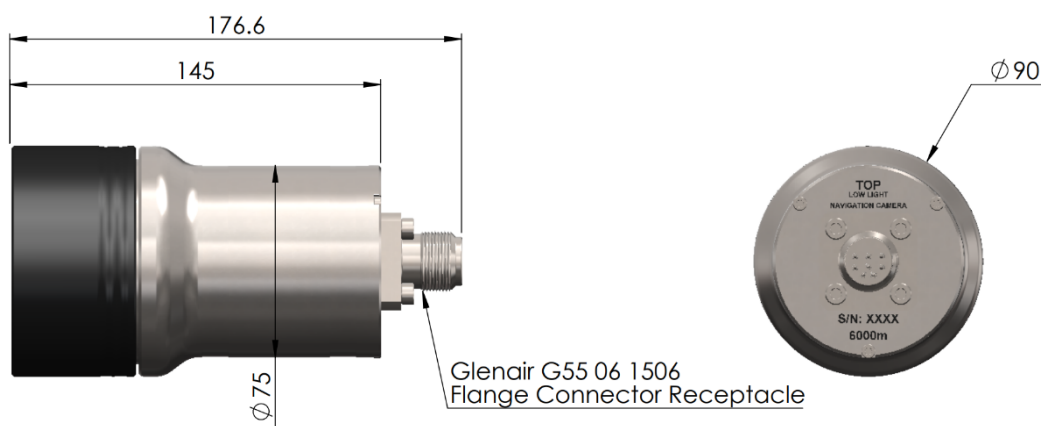
The **C5** camera has been designed to provide high resolution and high contrast monochrome video whilst operating in extremely low light level (2.5×10^{-6} lux) underwater conditions down to 6000m.



Overview

The *cost-effective* **C5** subsea camera is equipped with a wide angle aspherical lens providing an angle of view underwater of 105 degrees (diagonal) through its quartz optically corrected front port. This true SIT replacement camera has a Wide Dynamic Range providing superb video quality under all lighting conditions without the introduction of noise or motion blur.

The housing is manufactured from Grade 5 Titanium to operate down to 6000 metres. The camera is protected internally from overvoltage, reverse voltage and surge protection.





OceanTools

C5 Subsea Camera

Superior low light camera

Specifications

	C5
Lens type	Wide Angle, Aspherical, High Speed
Underwater angle of view	105° (Diagonal)
Sensor type	1/2" CCD
Minimum illumination	2.5 x 10 ⁻⁶ lux
Output resolution	570 TVL
Video output	1V p-p CVBS 75Ω (CCIR & EIA)
S/N ratio	≥ 52dB
Input voltage	12–26VDC
Maximum current	160mA @ 12VDC
Depth rating	6000m
Housing material	Titanium
Window	Quartz Water Corrected
Standard connector	Glenair G5506-1508 (others on request)
Length (excl connector)	145mm
Diameter (cowl)	90mm
Diameter (main body)	75mm
Weight in air	1.5kg
Weight in water	0.8kg
Operating temperature	-10°C to +50°C

Related Products

The **C6** high performance colour zoom camera is designed to serve as the pilot's main camera on ROV systems, with a choice of composite PAL/NTSC video or digital SDI output up to 1080p.

Product datasheets, GA drawings, case studies and other supporting documents are available to download from data.oceantools.co.uk

All specifications are subject to change without notice. E&OE.

Version 6 (29.07.2022)

